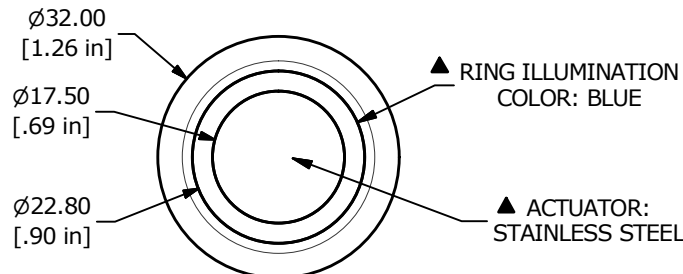


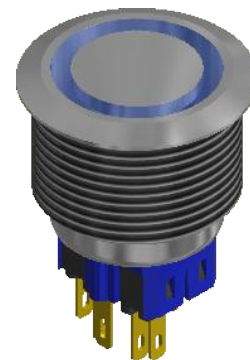
PANEL CUTOUT  
MAX. PANEL THICKNESS 10mm



▲ RING ILLUMINATION  
COLOR: BLUE

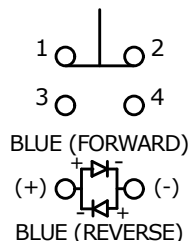
▲ ACTUATOR:  
STAINLESS STEEL

▲ BODY:  
STAINLESS STEEL

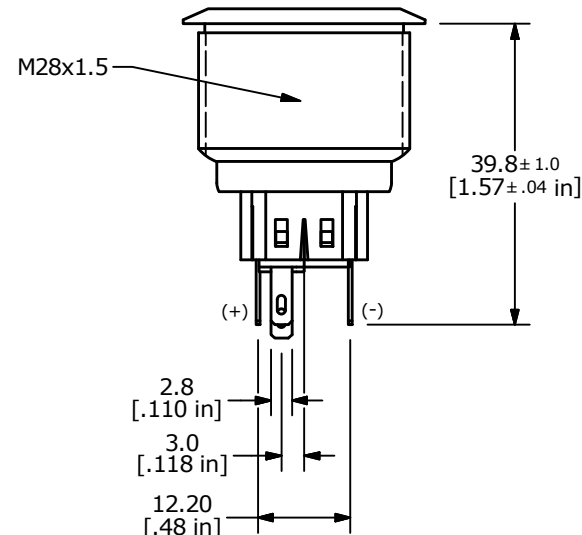
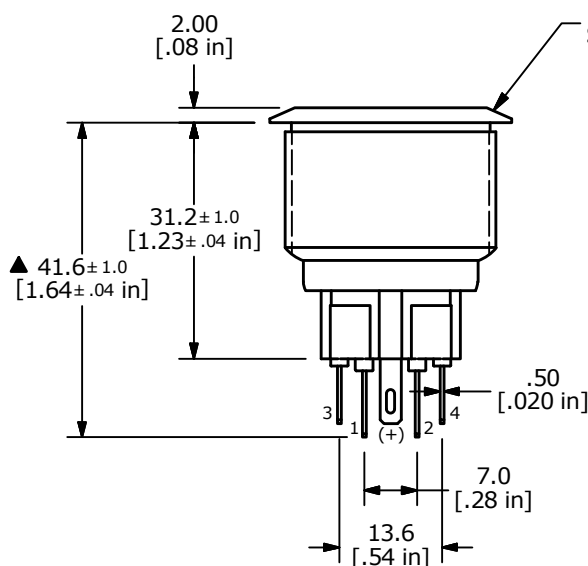


▲ SWITCH FUNCTION

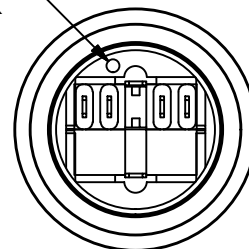
POS. 1	POS. 2
1-2 ON 3-4 OFF	1-2 OFF 3-4 ON



▲ SPDT ON - OFF / OFF - ON  
CONTACT CONFIGURATION



DOT DENOTES  
LED COLOR



NOTE:

- ALL DIMENSIONS IN MM [INCH]
- GENERAL TOLERANCE: X.X = ± 0.4  
X.XX = ± 0.25
- TERMINAL NOS. FOR REF. ONLY
- RATING: 2A @ 48VDC
- CONTACT RESISTANCE: 50mΩ MAX. @ 1A 12VDC
- INSULATION RESISTANCE: 1,000MΩ @ 500VDC
- DIELECTRIC STRENGTH: 2,000VAC MIN. FOR 1 MINUTE
- ELECTRICAL LIFE: 50,000 CYCLES
- OPERATING TEMPERATURE: -20°C to 55°C
- INGRESS PROTECTION: IP66
- ▲ DENOTES CRITICAL PARAMETER
- ▲ 13. ILLUMINATION VOLTAGE: 12V
- ▲ 14. SUPPLIED HARDWARE: O-RING AND HEX NUT



B	23837	UPDATED RATING TO IP66	4/8/19	MJR
A	23717	RELEASE FOR PRODUCTION	12/20/18	MW
REV	PCR NO	DESCRIPTION	DATE	BY

TITLE PV9F2T0SS-344				
SCALE 1:1	DATE 12/20/2018	DR MW	DWG 52-PV9F2T0SS344	REV B

THE INFORMATION CONTAINED IN THIS DOCUMENT IS PROPRIETARY TO E-SWITCH AND IS NOT TO BE COPIED OR TRANSFERRED